

Blending Device

General information

An easy way to increase the beer output of your brewery with a little investment is Blending, the dilution of high gravity beer with deaerated water and/or pre-post run beer.

This will not only reduce the extract and alcohol losses but will also enable you to optimise your beer production in quality as well as quantity.

Principle of Operation

The most advanced way of Blending is a ratio control water/beer with correction on either the Original Gravity or alcohol value. This ensures a reliable and accurate Blending.

As the dilution will have an influence on the dissolved CO₂ content, blending is often combined with carbonation, where the CO₂ content is corrected and the beer/water mix is homogenised.

Description

The BLD is a skid-mounted system utilising proven components, including all required piping, wiring and control system. The hygienic, fully automatic and reliable, design guarantees easy handling, low maintenance and a long lifetime. Extensive factory tests as well as worldwide references are evidences of the quality and reliability of the Blending Device, type BLD.



**Beverage
CO₂ Systems**



Technical information

Cleaning

The Blending Device is manufactured according to the highest sanitary standards. The unit is provided with full automatic CIP capability.

Service

The Blending Device is a user-friendly and fully automatic system, which has a very small need for spare parts. The self-diagnostic electronics help you adequately in case of problems. Clear operating instructions, maintenance information and a reliable service department are part of our services.

Benefits

- High measuring and control accuracy
- Hygienic Design
- Fully PLC controlled
- User friendly Operating Panel
- Easy up-grade of existing Haffmans CO₂ Dosing Devices type AGM to Carbo-Blend

Measuring Ranges (other ranges on request)

Alcohol: 0 - 10 % vol.
Original Gravity: 0 - 20° Plato

Options

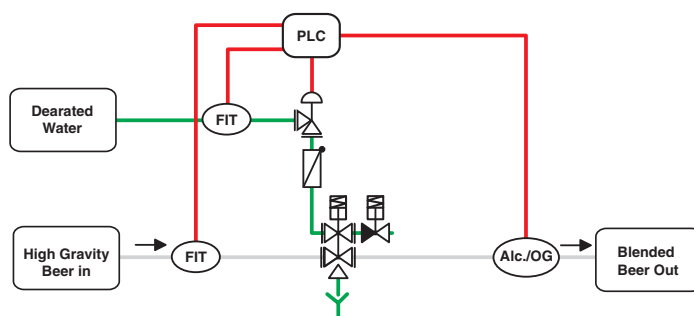
- Alcohol measurement
- Original Gravity measurement
- Water Deaeration Unit

Material

Product Contact parts: AISI 316
Non Contact parts: AISI 314

Control Cabinet

Protection class: IP 54



Haffmans B.V.

P.O. Box 3150 NL-5902 RD Venlo, The Netherlands
T: (+31) (0)77 323 23 00 F: (+31) (0)77 323 23 23
E: info@haffmans.nl I: www.haffmans.nl



NORIT The Purification Company

BLD