



STERILIZED LOW OZONE WATER PAPlight



PAP light

FEATURES

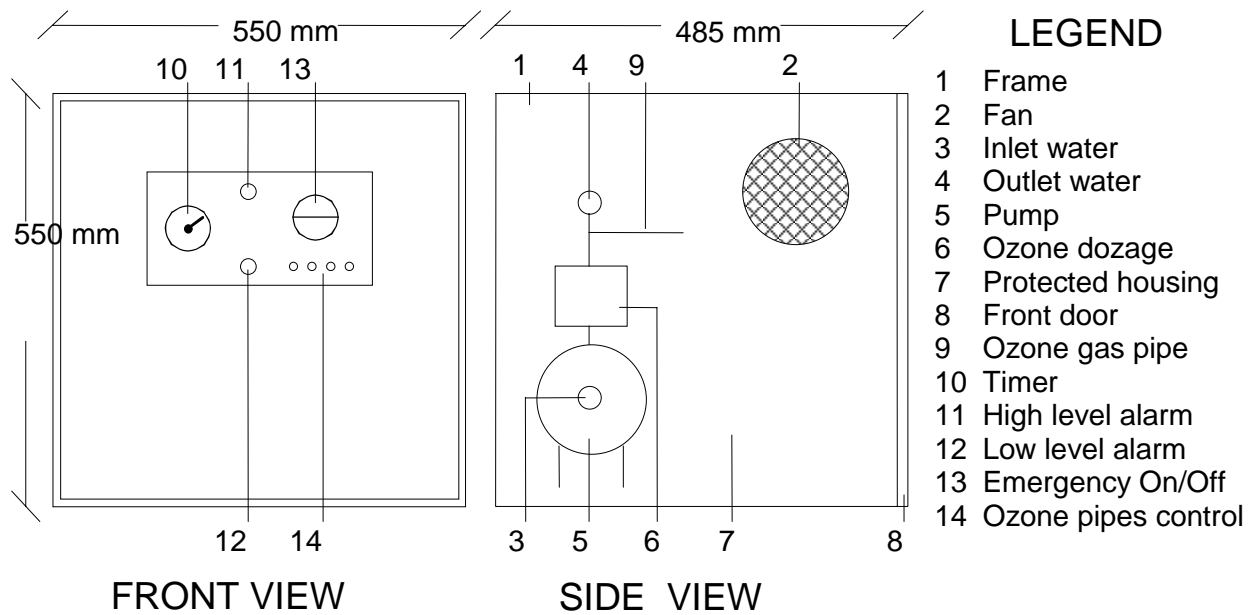
- OZONE GENERATION BY EXCITED DIMER (DBE)
- NO AIR DRYER, NO MAINTENANCE
- FREE OF MERCURY (EXCIMERE)
- TIMER, INTERMITTENT OPERATION
- OZONE DOSAGE SYSTEM BUILT-IN
- TIMER, INTERMITTENT OPERATION
- READY MOUNTED OZONSKID
- OZONE SENSOR CONTROLLER (OPTION)

APPLICATIONS

- SWIMMING POOLS
- POTABLE WATER
- ULTRA PURE WATER
- WATER STORAGE TANK

For further application please see
ANSEROS application notices

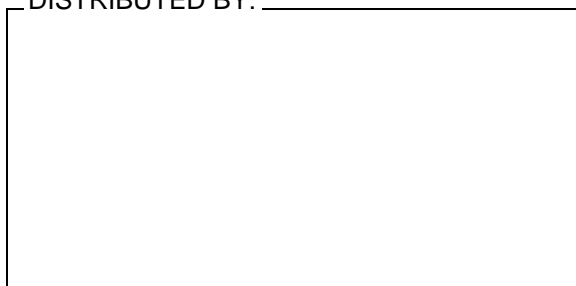
CONSTRUCTION



TECHNICAL DATA

TECH. DATA	UNITS	L2	L4	L6
Ozone capacity	g O ₃ /h	2	4	6
Consumption	KW	1.0	1.1	1.2
Water flow	m ³ /h	1.0	2.0	3.0
Tank volumes	m ³	20	40	60
Water outlet	inch	1	1	1
Water inlet	inch	1	1	1
Weight	kg	35	40	45
Ozone concentration	Mg O ₃ / l H ₂ O	0.05 - 0.80		
Power supply		115/230 V - 50/60 Hz		

DISTRIBUTED BY: _____



MANUFACTURER: _____



ANSEROS

ANSEROS KLAUS NONNENMACHER GMBH
 D-72070 TÜBINGEN · DISCHINGERWEG 11
 PHONE +49.7071-7995-0 · FAX +49.7071-7995-95
INFO@ANSEROS.DE · WWW.ANSEROS.DE